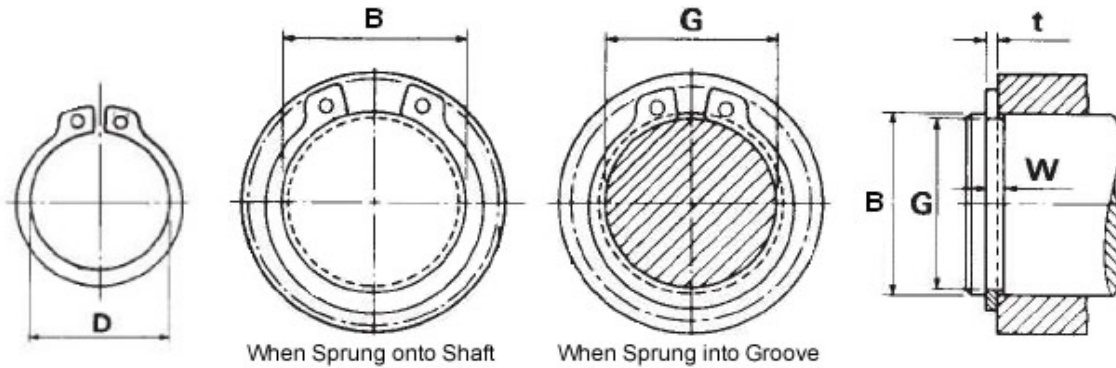


Retaining Ring Kit / RRK-EXIS Specs



SAE Products®

Listed below are ring, groove, and other specifications for every retaining ring included in SAE Products Stainless Steel external retaining ring kit part number RRK-EXIS. Display units are in inches.



Quantity In Kit	Application Diameter (B) [in.]	Groove Diameter (G) [in.]	Groove Width (W) [in.]	Groove Depth [in.]	Ring Diameter (D) [in.]	Ring Thickness (t) [in.]
(50)	0.250	0.230	0.029	0.010	0.225	0.025
(50)	0.312	0.290	0.029	0.011	0.281	0.025
(50)	0.375	0.352	0.029	0.012	0.338	0.025
50)	0.438	0.412	0.029	0.013	0.395	0.025
(50)	0.500	0.468	0.039	0.016	0.461	0.035
(50)	0.562	0.530	0.039	0.016	0.521	0.035
(25)	0.625	0.588	0.039	0.018	0.579	0.035
(25)	0.688	0.646	0.046	0.021	0.635	0.042
(25)	0.750	0.704	0.046	0.023	0.693	0.042
(25)	0.812	0.762	0.046	0.025	0.751	0.042
(25)	0.875	0.821	0.046	0.027	0.810	0.042
(25)	0.938	0.882	0.046	0.028	0.867	0.042
(10)	1.000	0.940	0.046	0.030	0.925	0.042
(6)	1.125	1.059	0.056	0.033	1.041	0.050
(6)	1.250	1.176	0.056	0.037	1.156	0.050
(6)	1.312	1.232	0.056	0.040	1.214	0.050

(6)	1.375	1.291	0.056	0.042	1.272	0.050
(6)	1.500	1.406	0.056	0.047	1.387	0.050